

SHOT OVER

ION 2

NEXT GENERATION VIDEO RECORDING & MORE

ION 2 is a compact, rugged, and reliable geospatial video recorder purpose-built for airborne operations. It supports simultaneous recording of four HD-SDI video channels, along with audio and metadata. With real-time H.264/H.265 recording and playback, ION 2 ensures consistent, high-quality capture of mission-critical video and data. The front panel includes intuitive controls, a built-in screen for menu navigation and video review, and convenient front-access SD and USB ports for direct recording.



ION 2 FEATURES

- More than a DVR — encode, decode, transcode video and convert ARINC/Serial/Ethernet protocols, control radios and more.
- Record four channels of HD-SDI video simultaneously.
- Monitor recordings and review video on the device in real-time, even while recording.
- Never miss the action – ION's configurable record buffer captures video prior to the record button being pressed.
- Know where your video was recorded: Capture VANC KLV MISB/STANAG 4609 compliant metadata.
- Use inexpensive SD or USB/USB C memory to capture hours of HD quality video with metadata.
- Automatically trigger recordings based on events such as skids-off or hoist cam activation.
- With built-in video scalers, framerate conversion, plus flexible encoding parameters, ION 2 is a great solution for any video problem.
- Embed ANY metadata into the transport stream (GMTI RADAR data, AIS, ADS-B, etc).
- Charge your iPad via 20W PD and connect to aircraft Ethernet with a single cable.
- Upgradable to run our Airscape augmented reality mapping system at any time.

**SHOT
OVER**
SHOTOVER.COM

SHOTOVER HQ
5660 Airport Blvd., Suite 101
Boulder CO, 80301

NEW ZEALAND
133 Glenda Drive
Queenstown, 9300

CANADA
286 Sanford Ave. N, Suite 301
Hamilton, ON L8L 6A1

UNITED KINGDOM
3A Belmore Hill Court, Belmore Lane, Owslebury
Hampshire, UK, SO21 1JW

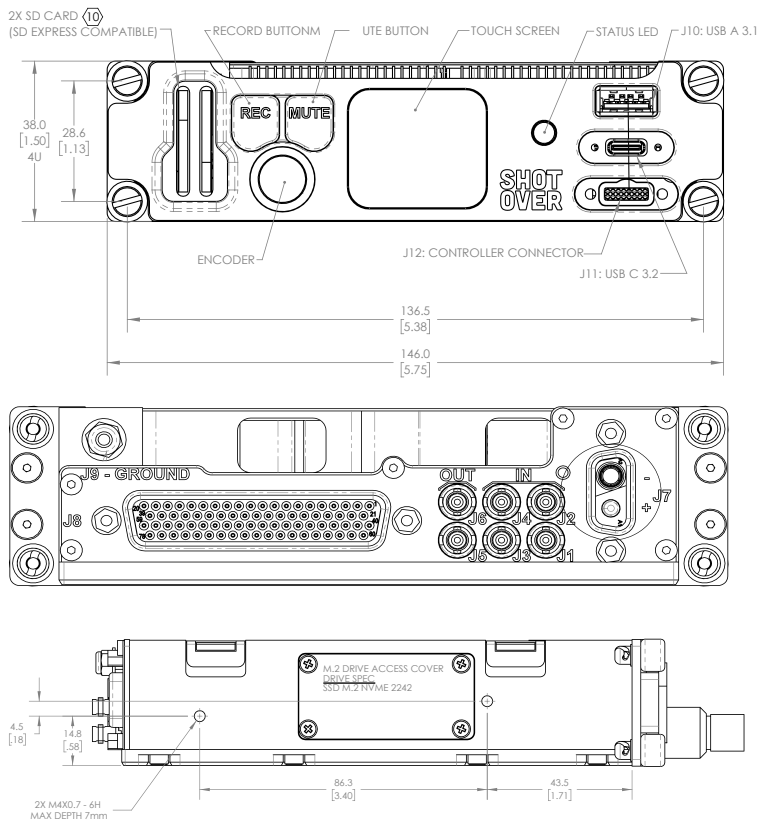
SALES
+1 720 680-2457
info@shotover.com

CUSTOMER SUPPORT
+1 720 744-3300 | Dial 1 when prompted
support@shotover.com

BUILT-IN DISPLAY LETS YOU RECORD WITH CONFIDENCE



Featuring a full-color, night vision compatible display, ION 2 provides more screen real estate than any other geospatial video recorder in its class. Its compact and rugged design means it can be used in a variety of locations, and its simple user interface allows for a wide range of applications.



ION 2 SPECIFICATIONS

INPUT

Up to 4x 3G-SDI (1080p60)

OUTPUT

Up to 2x 3G-SDI + 1x Extra 3G-SDI outputs if only using 3x inputs

INTERFACES

Front Connections

SD/SDHC/SDXC/SD Express cards (x2)

USB-A 3.1

USB-C: USB 3.2 + 20W PD + Ethernet interface

Gigabit Ethernet with 802.3bt 60W PoE

High-Brightness Screen

Rear Connections

Audio in (x2): balanced

Audio out (x2): unbalanced

RS232/RS422/RS485 (x3)

Gigabit Ethernet (x2): x1 is POE 802.3bt 60W capable

ARINC429: (x1 inputs, x1 output)

Wide Input Voltage Range (12-30 VDC)

CAN bus

USB 2.0 (x2)

PS/2 (x2)

GPIO (DI/DO/AI) (x6)

STORAGE

External - Continuous uninterrupted recording with Hot-Swap

Removable M.2 NVME 2242 SSD

WEIGHT

2.54 lbs (1.15 Kg)

SIZE

6.02" L x 5.75" W x 1.5" H

152.9 mm x 146 mm x 38 mm



Specifications and ICDs available via the QR code or at:

shotover.com/oscar

UNRIVALED SUPPORT & WARRANTY

- 1-Year Hardware Warranty
- No Annual Fee for Support or Software Updates
- 1-Year Money-Back Guarantee

11.13.25

**SHOT
OVER**
SHOTOVER.COM

SHOTOVER HQ
5660 Airport Blvd., Suite 101
Boulder CO, 80301

NEW ZEALAND
133 Glenda Drive
Queenstown, 9300

CANADA
286 Sanford Ave. N, Suite 301
Hamilton, ON L8L 6A1

UNITED KINGDOM
3A Belmore Hill Court, Belmore Lane, Owslebury
Hampshire, UK, SO21 1JW

SALES
+1 720 680-2457
info@shotover.com

CUSTOMER SUPPORT
+1 720 744-3300 | Dial 1 when prompted
support@shotover.com